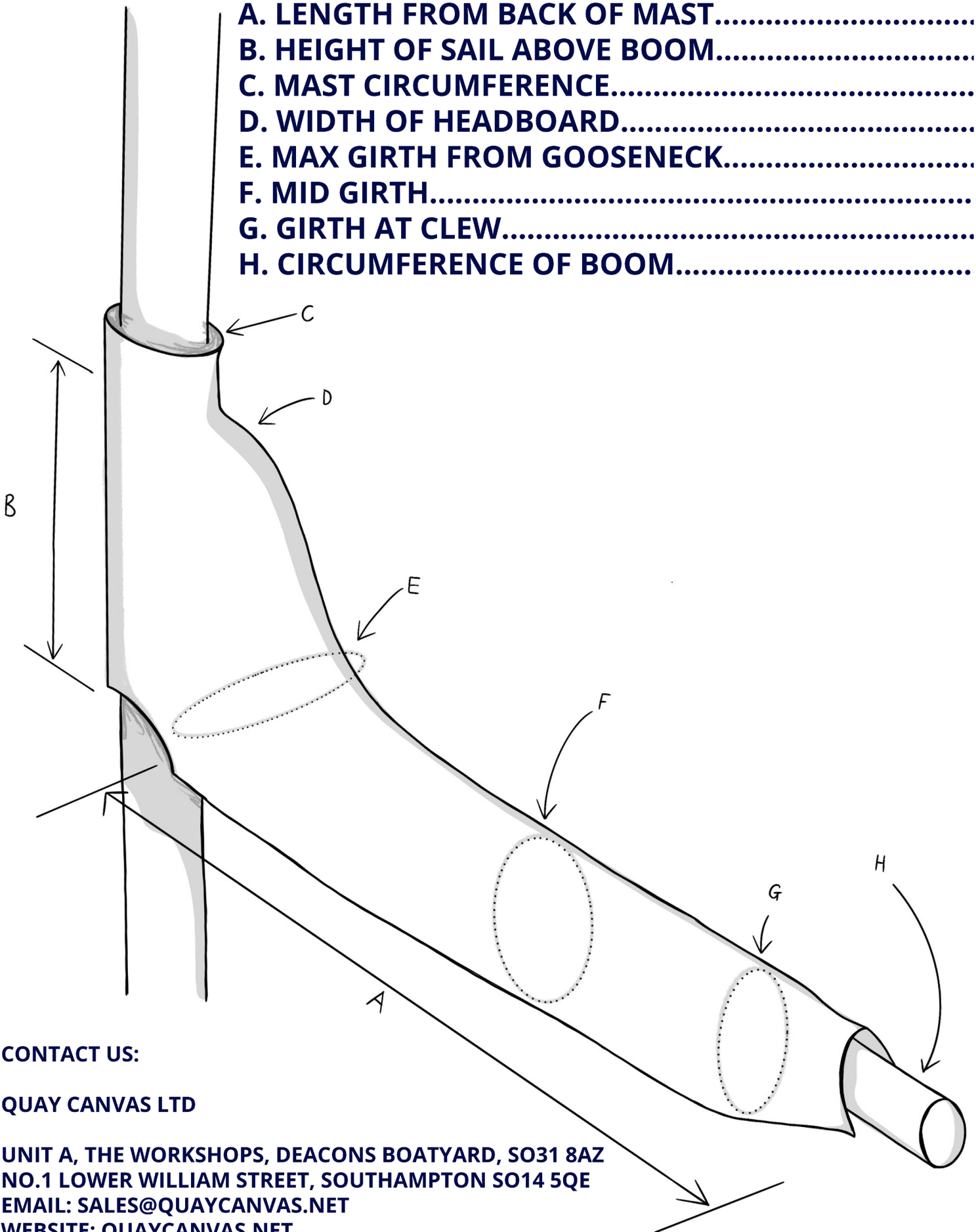




STANDARD SAILCOVER

- A. LENGTH FROM BACK OF MAST.....
- B. HEIGHT OF SAIL ABOVE BOOM.....
- C. MAST CIRCUMFERENCE.....
- D. WIDTH OF HEADBOARD.....
- E. MAX GIRTH FROM GOOSENECK.....
- F. MID GIRTH.....
- G. GIRTH AT CLEW.....
- H. CIRCUMFERENCE OF BOOM.....



CONTACT US:

QUAY CANVAS LTD

**UNIT A, THE WORKSHOPS, DEACONS BOATYARD, SO31 8AZ
 NO.1 LOWER WILLIAM STREET, SOUTHAMPTON SO14 5QE
 EMAIL: SALES@QUAYCANVAS.NET
 WEBSITE: QUAYCANVAS.NET
 TEL: 023 8040 7441**